

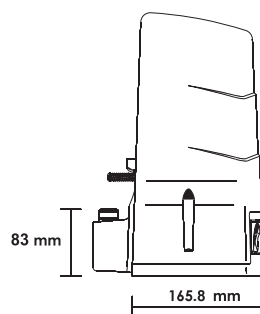
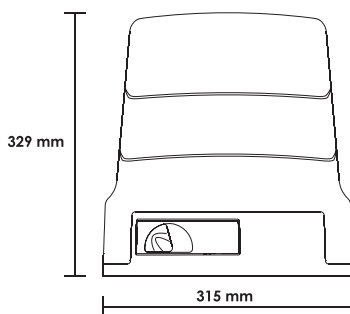


BH30 Brushless

BRUSH
LESS

24 Vdc

ENCODER



BH30	BH30/603/HS	BH30/803
Alimentare	V 230 VAC - 50 Hz	230 VAC - 50 Hz
Alimentare motor	V 24V	24V
Putere consumata	W 140	140
Utilizare	Intensiva	Intensiva
Fora max.	N 500	800
Ciclu de utilizare	% 100	100
Temperatura de lucru	°C -20+55	-20+55
Clasa de protectie	IP 44	44
Viteza	m/min 24	12
Limitator capat cursa	mecanic	mecanic
Unitate de comanda incorporata	B70/1DC	B70/1DC
Greutate max. poarta	kg 600	1000

BRUSHLESS

KIT	Motor	Telecomanda E80/TX54R/2	Receptor Radio H93/RX22A/1	Lampa Semnalizare R92/LED 24	Fotocelule de Protectie Zoom Zmini	Porti culisante Kg.	Alimentare
-----	-------	-------------------------	----------------------------	------------------------------	------------------------------------	---------------------	------------



BH30/605/HS	1x BH30/605/HS	2x	1x	1x	2x	600	24V DC
BH30/805	1x BH30/805	2x	1x	1x	2x	1000	24V DC